

MP9911P

Pre Amplifier



Features

- Five microphone inputs, three auxiliary inputs, two priority inputs, four outputs
- Muting function
- Individual volume control
- Bass and Treble tone control
- A five-element LED level meter is provided for quick and easy visual monitoring of output level
- Manual chime out

Description

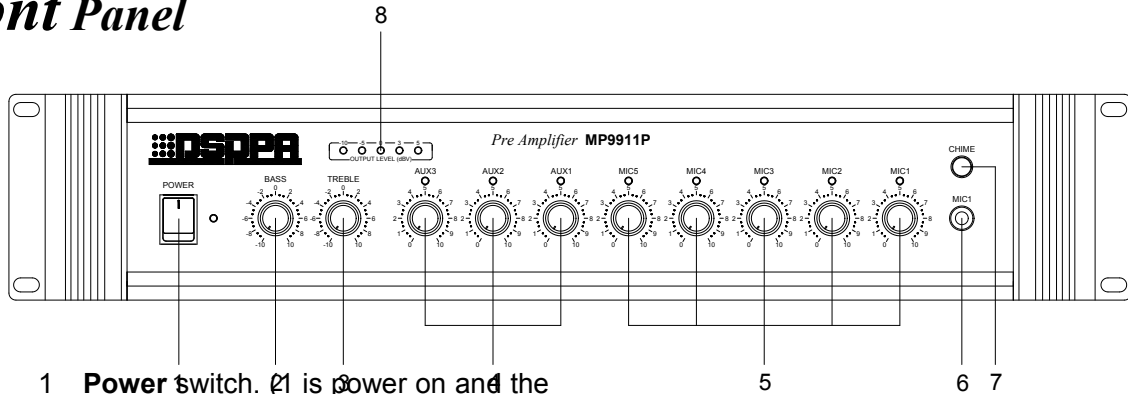
The MP9911P is a public address pre-amplifier with five balanced MIC inputs, three AUX level inputs and two EMC(priority) level inputs.

Priority muting is achieved via EMC for overriding music for paging and emergency alarms. Individual gain controls are provided for MIC and AUX inputs, bass and treble controls are provided for overall tone control

Specification

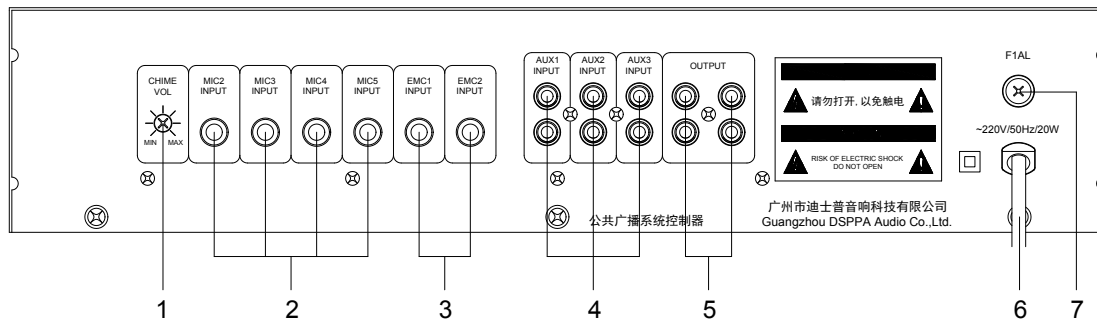
Model	MP9911P
Inputs	Mic1, 2, 3, 4, 5: 600Ω, 2.5mV(±0.5mV), unbalanced
Audio output	0dBV
Frequency response	Mic: 100Hz-15kHz (±3dB); Line: 20Hz-20kHz(±3dB)
Signal/ noise ratio	Mic input : >80dB
Tone	Bass : ±10dB (100Hz)
Chime	Melody : “(1-3-5-i-)”
Protection	AC fuse ×1
Power Requirement	AC 220-240V/50-60Hz
Outer Packing Size(mm)	(L×W×H)555×455×185
Unit Size(mm)	(L×W×H)480×375×88
Gross weight	9.0kg
Net weight	7.3kg

Front Panel



- 1 **Power switch.** (1 is power on and the "power LED" is on)
- 2 **Bass control.**
- 3 **Treble control.**
- 4 **AUX 3, 2, 1 volume control.**
- 5 **MIC 5, 4, 3, 2, 1 volume control.**
- 6 **MIC 1 input.**
- 7 Chime button
- 8 LED output level meter

Rear Panel



- 1 **Chime volume**
- 2 **MIC 2, 3, 4, 5 inputs.**
- 3 **EMC 1, 2 inputs.**
- 4 **AUX 1, 2, 3 inputs.**
- 5 **OUTPUT jacks.**
- 6 **AC power cord.**
- 7 **AC FUSE**

