

## MAG6378 60W Network Column Speaker



### Description

The MAG6378 network column speaker is a fully digital network analog-to-digital converter with high-fidelity speaker based on TCP/IP transmission protocol, which realizes a modern network playback terminal with integrated processor and column speaker. It can be attached anywhere the network can arrive. The remote audio data stream can output audio signals through the unit and directly emit sound from the column speaker with intelligent control of the host.

### Features

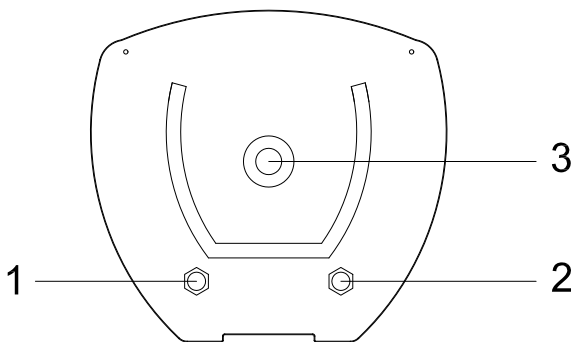
- All-weather design and waterproof unit, suitable for indoor and outdoor application; long service life, high sensitivity ( $90\pm 2\text{dB}$ ), clear and bright sound;
- The maximum sound pressure level is  $105\pm 2\text{dB}$ , and the effective frequency range is as wide as  $80\text{Hz} \sim 16\text{kHz}$ ;
- Can be attached anywhere the network can arrive;
- Support up to  $48\text{kHz}$  sampling rate 16bit digital audio stream decoding;
- Built-in  $1\times 60\text{W}$  digital amplifier, with low power consumption;
- Can play background music, emergency paging, alarm signals from the system host;
- Aluminum mesh, no rust;
- Two-way structure, wide frequency band;
- Waterproof grade IPX6 with waterproof structure.

### Specifications

Model		MAG6378
Acoustic System	Driver Unit	$8'' \times 1, 1'' \times 1$
	Sensitivity(1m,1W)	$90\text{dB} \pm 2\text{dB}$
	Max.SPL(1m)	$105 \pm 2\text{dB}$

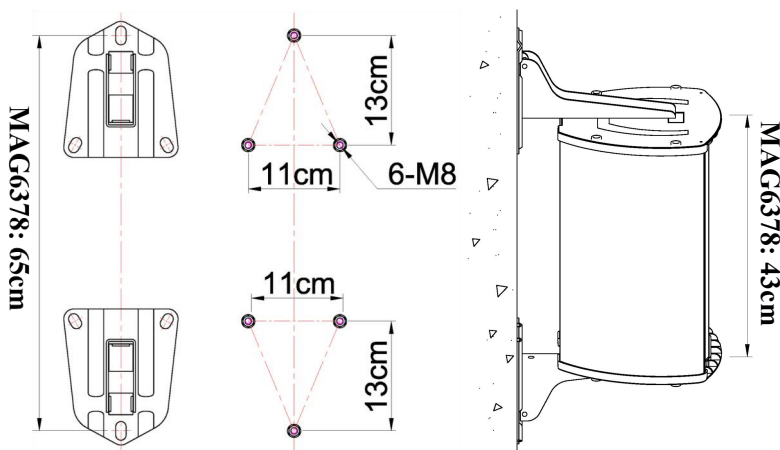
NET Play	Freq. Resp.	80Hz-16kHz(±3dB)
	Rated Power (RMS)	60W
	Freq. Resp.	50Hz-16kHz(±3dB)
	Distortion	≤0.5%
	SNR	≥70dB
Power Supply		AC220V/50Hz
Package Dimension (L×W×H mm)		285×315×540
Machine Dimension (H×W×L mm)		230×250×430
Gross Weight		11.9kg
Net Weight		8.9kg

## Product Information



- 1. Network interface**  
Connected to the network cable.
- 2. AC220V power input**
- 3. Mounting hole**

## Installation Diagram



## Installation Method

1. Select an appropriate position on the facade where the column speaker is to be installed, install the six M8 expansion bolts as shown above, attach the bracket, and fix the column speaker;
2. Connect to the power cord and network cable;
3. Adjust the angle of the column speaker and check if the installation is firm and reliable.