

DSP9315

SIP Intercom Phone



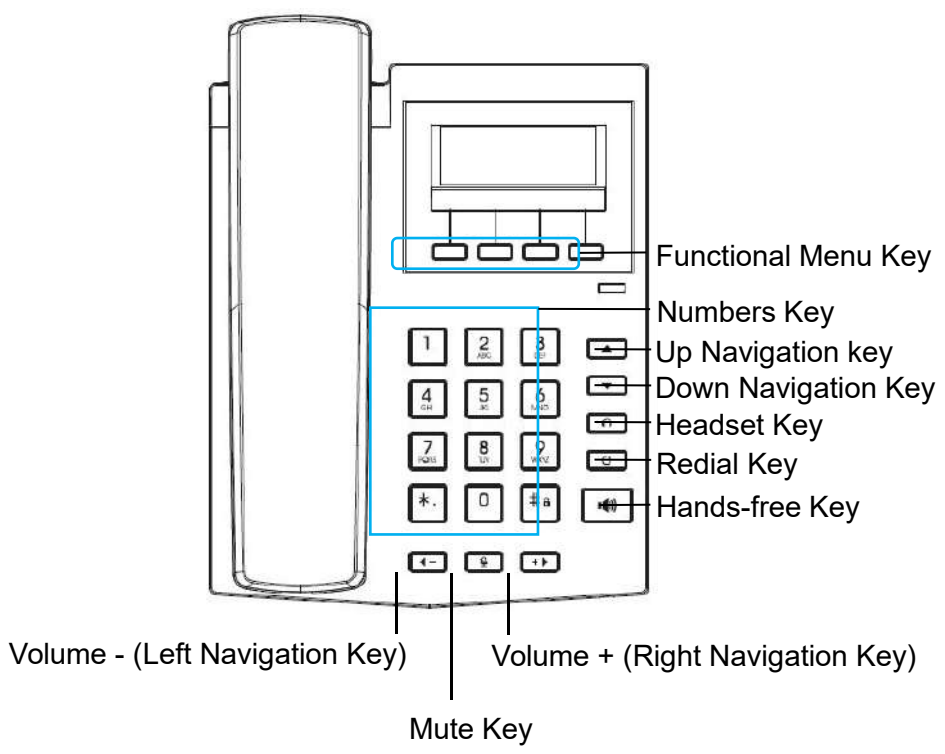
Description

DSP9315 IP phone is an entry-level desktop phone with advanced design and high cost performance, which greatly improves enterprise production efficiency.

For enterprise users, it's the cost-effective office equipment. DSP9315 inherits the functional features of DSPPA-IP phone, such as headset, full-duplex hands-free mode, PoE, 100M network, QoS, secure transmission, automatic configuration and deployment, etc.

Features

- With a 2.4" color display screen.
- Exquisite workmanship.
- Economic, environmental and intelligent product concept.
- Easy installation and configuration.
- User-friendly interface design.
- Support multiple users to use switching and configuration.
- Secure and complete configuration protocol.
- High compatibility: compatible with SIP-based IP PBX/soft switch/IMS platforms such as Asterisk, Broadsoft, 3CX, Elastix, Zycoo, etc.



Keys Instruction

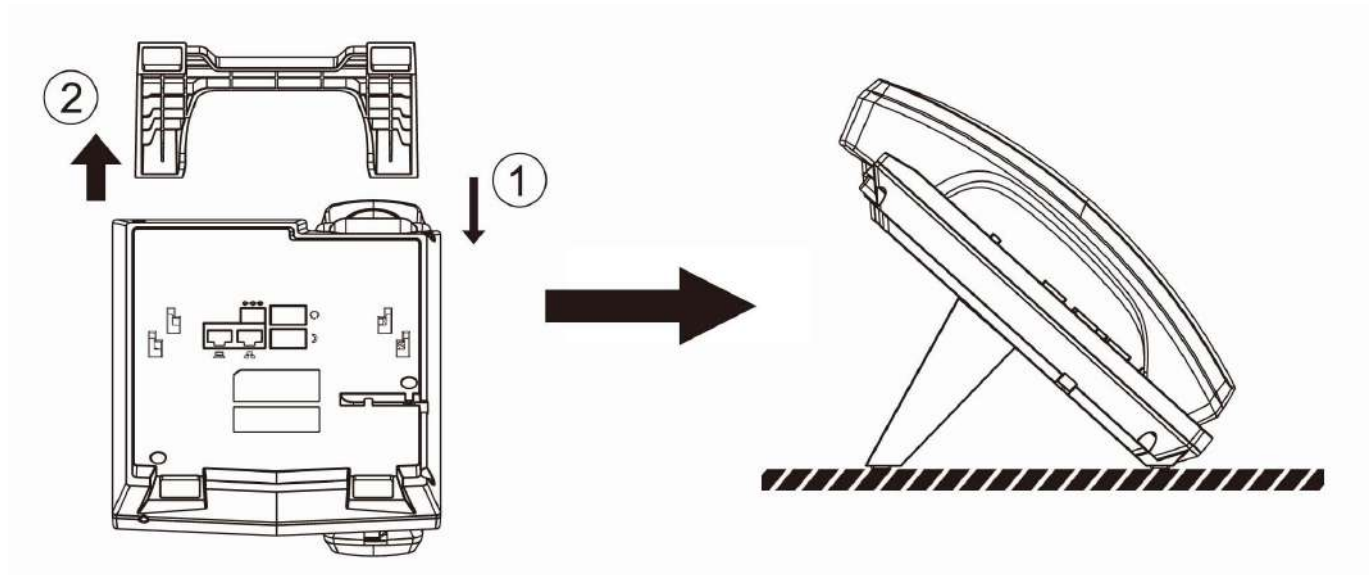
The picture above shows the keypad layout of the phone. Each button provides its own specific function. Users can refer to the instructions for the keys in the illustration in this section to operate the phone.

Some keys support the long press function. The user can press and hold the key for 1.5 seconds to trigger the long press function.

- Function Menu Keys-These four keys provide the corresponding menu functions displayed on the screen.
- Standard Number Keys-These 12 standard phone keys provide standard phone key functions. but further to the standard function, some keys also provide special function by long-pressing the key,
 - Key # - Long-pressed to lock the phone. (Disabled by default)
- Up/Down keys - The user can press the up/down navigation key to change the line or move the cursor in the screen list.
- Headset Key - the user can press this key to turn on the headphone audio channel
- Redial Key - Press the Redial key to redial the last number dialed.
- Hands-free Key - The user can press this key to activate the hands-free speaker audio channel.
- Mute Key - During a call, the user can press this key to mute the microphone.
- Decrease (to the left)/increase (to the right) the sound – In the standby state, ringing and ringing configuration interface, the user can press these two keys to decrease/increase the ringing volume; in the call or volume adjustment interface, Press these two keys to decrease/increase the volume. (In some settings and text editing pages, the user can press these two keys to change options or move the cursor left/right in the on-screen list.)

Bracket Installation

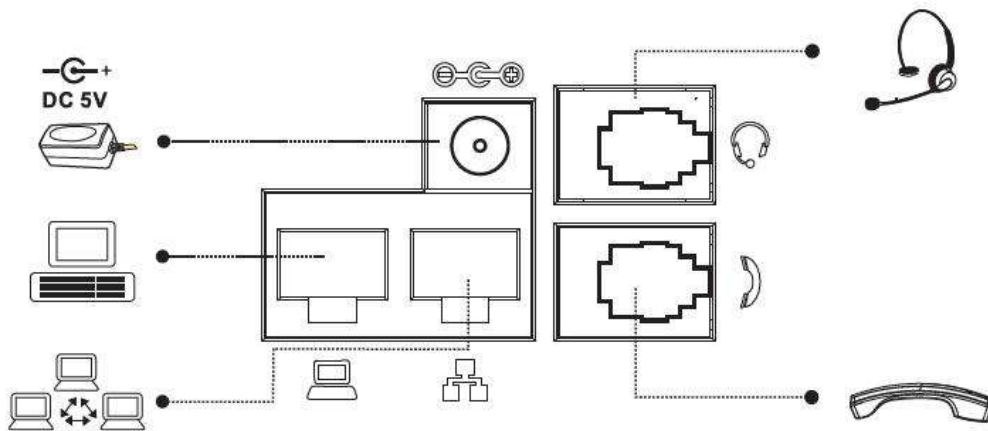
Please follow the instructions in below picture to install the device.



Bracket Installation

Device Connection

Connect the power adapter, network, PC, phone and earphone to the appropriate port as shown in the picture below.



Device Connection