

D6201

Intelligent Conference System Host



Description

D62 series conference system includes conference host and extension host and provides the automatic camera tracking function, 4.3" TFT touch screen, simply and clear GUI display as well as other advanced management and control functions, and will lead the design trend of conference system equipment. The conference controllers can provide power supply to all conference units and is extensible and is the core equipment of the conference system.

Features

- The conference controller allows connection of a maximum number of 128 conference units and with the extension controller, the conference system allows connection of up to 4096 units.
- Connection through 8-core aviation plugs in a series mode.
- Limitation of number of spokesman at a same time (1/2/3/4/5/6).
- Vote function, timed speech and other data management functions.
- 4.3" TFT display/touch screen.
- Users can adjust the system time and back light duration, in order to save energy.
- Messages on the system LCD screen may be in Chinese or English
- Users can set a number of VIP speech units, which when the total number of activated units is less than the limit of 20 (20 in FREE mode and 10 in other modes), can be activated and if free of any limitation of conference mode. A maximum number of 30 VIP units are allowed.
- The system supports five conference modes, namely FIFO, NORMAL, VOICE, FREE and APPLY.
- The system has embedded a DSP, including low cut, frequency shifter and equalizer.
- The system can realize recording of the entire conference and provides two recording modes, namely automatic recording and manual recording, and the user can choose the desired one.
- The system provides unit inspection function, with which inspection to the conference units may be realized automatically or manually.
- The conference systems also provides a camera tracking system and 4 BNC camera ports through which the system can realize automatic camera tracking function.
- The system provides one RS232 serial port, with which the system can be connected to the central

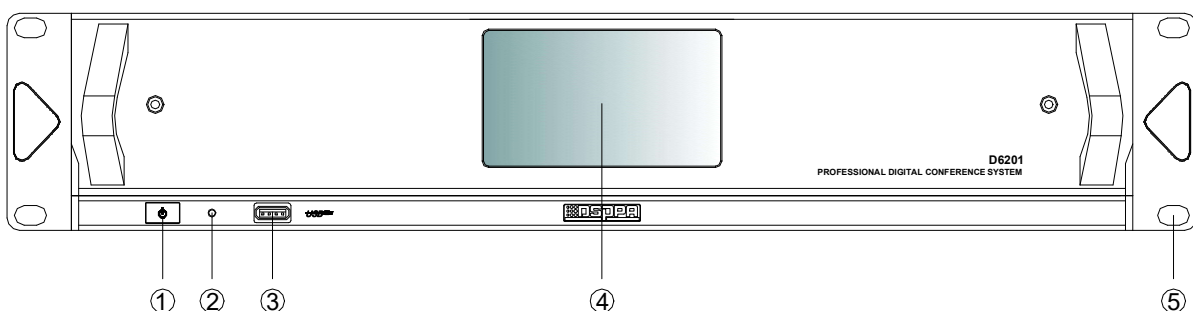
control system seamlessly, in addition, it also provides one RS422 serial port for connection of camera control circuit to realize centralized control on the 6 cameras.

- The 8-core aviation socket: one is for connection of interpreter controller, another for connection to extension controller and three for conference units.
- Cannon socket: It is a secondary audio output port and is used to realize parallel output together with two secondary audio output RCA sockets (LINE OUT) and for connection to specialized amplifiers.
- The system also provides a +5V trigger voltage warning input port, which, together with the warning audio input port, is used to realize warning breaking in function.
- The system provides RJ45 ports under TCP/IP protocol, which is used for connection to the network where a PC application program will be used to control all functions of the system.
- The equipment casing is made from metal materials and all the lines and casing are properly grounded, so the system has an anti-static of 10kV in case of physical contact and 15kV in case of air contact.
- The system adopts high-grade appearance design, 2U standard chassis, and can be installed in a 19 inch standard cabinet.

Specifications

Model	D6201
LINE input voltage	250 (±30) mV
ALARM input voltage	250 (±30) mV
LINE output voltage	1 (±0.1) V
BALANCE output voltage	1 (±0.1) V
Frequency response	20Hz-20kHz (±3dB)
SNR	>80 dB
Harmonic distortion	<0.3%
Output power	≤110W/3-way, 24V
Max. power	350W
Static power consumption	15W
Quantity of maximum units	128 ps
Control interface	RJ45, RS232, RS422
Power source	AC220V~50Hz/320W
Net Weight	6.9kg
Dimension	484×385×88 mm
Item	Index parameters

Front / Rear Panel



Functions on front panel of the host:

1. Power switch (POWER)

- Power is on when the button is pushed down and is off when the button is ejected.

2. Power indicating light (ON)

- The indicating light will be on, when the system is powered on, and it is off when the system is powered off.

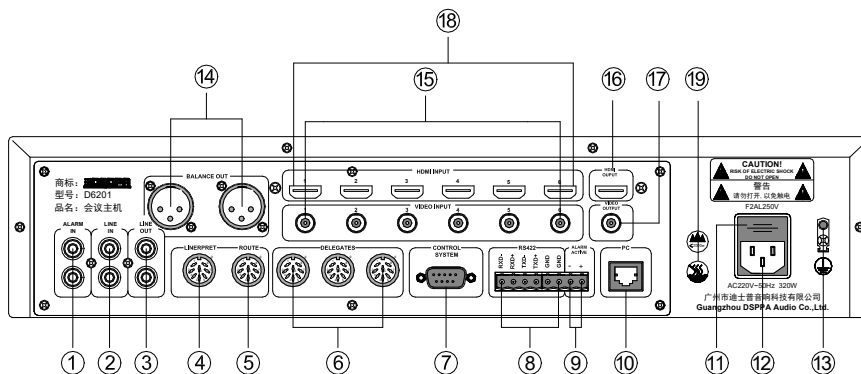
3. USB port (USB)

- For connection of USB flash disks during the recording process;
- A mouse with USB port may be connected to operate the system.

4. LCD touch screen display

- For display of function icons and menus in the operation process; touch screen is used in configuration.

5. Screw holes for installation in cabinet



Functions on rear panel of the host:

1. Warning audio signal input port (ALARM IN)

- It is used for connection to warning signals from the fire control center and is interlocked to the warning triggering signal as mentioned in ⑨.

2. Line audio signal input port (LINE IN)

- It is for connection of sound source or sound console equipment to provide line audio signal to this system.

3. Mix output of audio signal (LINE OUT)

- It is for connection of amplifiers, and the output signal includes line audio signals, warning signals and microphone signals.

4. Port for connection of interpreter host to the control host (INTERPRET)

5. Extension port (ROUTE)

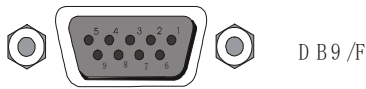
- It is used to connect the conference controller and extension controllers and to transmit audio signals and communication signals.

6. Conference unit output port (3-way output, DELEGATES1-3)

- The three ports allows connection of up to 128 conference units.

7. Port for central control system (CONTROL SYSTEM)

- It is used to connect the system to a smart central control system, to realize centralized control over the conference system by far infrared.
- RS-232 serial communication port is 9-pin female (DB9/F), and the definition for the port is as shown in the figure below:



D B9 /F

Pin	1	2	3	4
Description	N/U	TXD	RXD	N/U
5	6	7	8	9
GND	N/U	N/U	N/U	N/U

8. Camera control port (RS422)

- It is used for connection of control signals of 6 cameras, which are connected in serial manner.

9. Fire alarm interlocking and activation port (ALARM ACTIVE)

- The system adopts +5V voltage to trigger the alarm interlocking, in which "Alarm" will be displayed on the screen of all conference units and the microphones of all conference units will be deactivated.
- When the +5V voltage on this port is off, the system will automatically return to the working status before such alarm.

10. Ethernet port (PC)

- The conference can realize remote control via TCP/IP network;
- When the system is connected to a WIFI network, it allows wireless conference control via a tablet PC.

11. Fuse in power supply of the system

- F2AL250V fuse socket;
- If the fuse is blown, please replace it with a fuse of the same specification;
- If the fuse is blown, it indicates equipment fault, so please replace the fuse after such fault has been eliminated;
- See description on Page 41 for procedures of replacing the fuse.

12. Power input

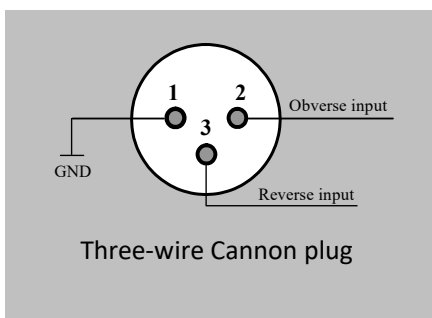
- AC220V/50Hz/350W power input.

13. Grounding connection

- It is used to connect the conference host to the ground, so as to avoid electric shock or equipment damages caused by electric leakage.

14. Mix output of audio signals (Canon balance output socket)

- This port is connected in parallel to output port as mentioned in ③ (LINE OUT), and is a balance output socket. The signals on the three pins are defined as below:



15. 6 common cameras connection ports

- Each port allows connection to one camera;
- All 6 cameras connected to this system must be of the same brand;
- Cameras are connected by coaxial cable.

16. HD video output interface

- Connect the projector and other video equipment, Input the camera content to the big screen.

17. Common Video output port

- The port is used for connection to projectors or other video equipment, with which the content captured by cameras will be output to a large screen.

18. 6 HD camera connection port

- Each port allows connection to one camera;
- All 6 cameras connected to this system must be of the same brand;

19. This label means "applies only to areas under 2000 meters above sea level and safe use in non-tropical climate conditions."

System Diagram

